

## ● Packaging information

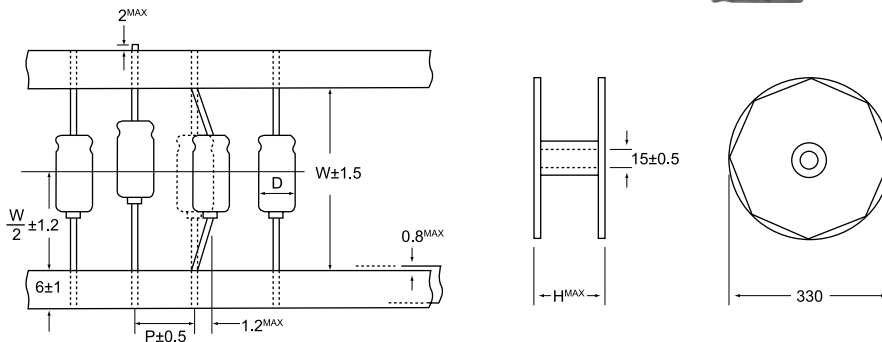
### Tape/Ammo Box (TAF/TAS)



Unit : mm

Packaging Case size	Inner box			Outer carton				
	Quantity (pieces)	W	L	H	Quantity (pieces)	W	L	H
4 x 5~7	2,500	230	335	53	25,000	350	476	290
5 x 5~11	2,000				20,000			
6.3 x 5~15	1,500				15,000			
8 x 5~20	1,000				10,000			
10 x 12~20	600				8,000			
13 x 13~26	300	300	340	70	3,000	350	476	290
16 x 26~32	300	300	340	70	3,000			
16 x 36	300	300	340	70	3,000			
18 x 36	250	300	340	70	2,500			

## ● Tape & Reel specification --- for Axial leads



Taping specifications		Taping code	Case size (mm)		Quantity/Reel (pieces)	Quantity/Carton (pieces)
Tape width	P		Diameter	Length		
52.4	10	TR1	5	13	1,500	7,500
			6.3	13 ~ 16	1,000	5,000
			8	13 ~ 21	1,000	5,000
63.5	10	TR2	5	13	1,500	7,500
			6.3	13 ~ 16	1,000	5,000
			8	13 ~ 21	1,000	5,000
52.4	15	TR3	10	13 ~ 21	500	2,500
			13	16 ~ 21	400	2,000
63.5	15	TR4	10	13 ~ 31	500	2,500
			13	16 ~ 31	400	2,000

## ● Lead Cut and Forming Specifications

Unit : mm

Lead Cut	Lead Forming & Cut	Snap-In Cut
<p>Symbol : C ( 4 ) Range : 4 ~ 18φ</p> <p><math>D\phi</math>, <math>F\pm 0.5</math>, <math>L\pm 0.5</math></p> <p>* Example C4 : cut at L=4 mm</p>	<p>Symbol : FC Range : 5 ~ 8φ</p> <p><math>D\phi</math>, <math>P</math>, <math>F\pm 0.5</math>, 2.5 max, 5±0.5</p>	<p>Symbol : KC Range : 10φ ~ 18φ</p> <p><math>D\phi</math>, <math>L\pm 0.5</math>, <math>F\pm 0.5</math>, <math>\phi d</math></p>